

C-Series Padlocks

1K42

AVA Brass Padlock

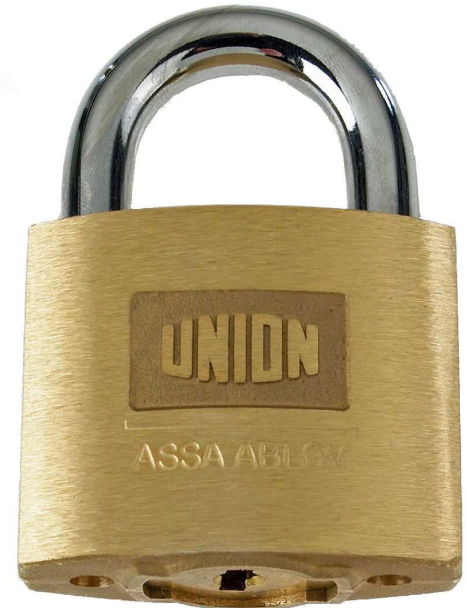


Application:

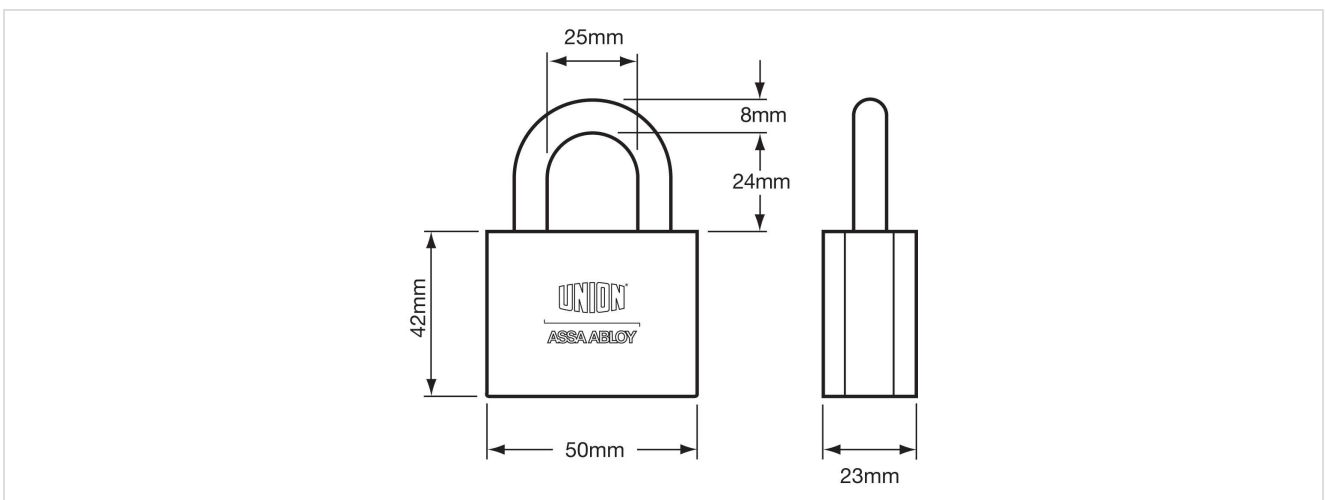
- 10 disc AVA open shackle brass padlock providing a high level of protection against picking and manipulation

Specification:

- Key retention when the padlock is unlocked
- Hardened steel unsprung shackle
- Keyed to differ supplied with 2 keys
- Please specify number of keys required for keyed alike or master key product
- Anti Saw
- Force Resistant
- Anti Pick
- Torque Resistant
- Corrosion resistant
- Shackle Type - Open
- Shackle Diameter - 8mm
- Shackle Clearance - 24mm
- Shackle Material: Hardened Steel
- Locking Mechanism - Key
- Key Blanks:
 - B-K653-S
 - B-K664-M
- Cut Keys:
 - B-AVA-SK Servant Key
 - B-AVA-MK Master Key
 - B-AVA-STD Standard Key



Technical Design:



C-Series Padlocks

1K42

AVA Brass Padlock



ASSA ABLOY

Variants:

Code	Description
B-1K42	AVA PADLOCK
BM-1K42-0K	AVA PADLOCK (ENSUITE)
B-AVA-MK	CUT KEY (MASTER)
B-AVA-SK	CUT KEY (SERVANT)
B-AVA-STD	CUT KEY (STANDARD)